

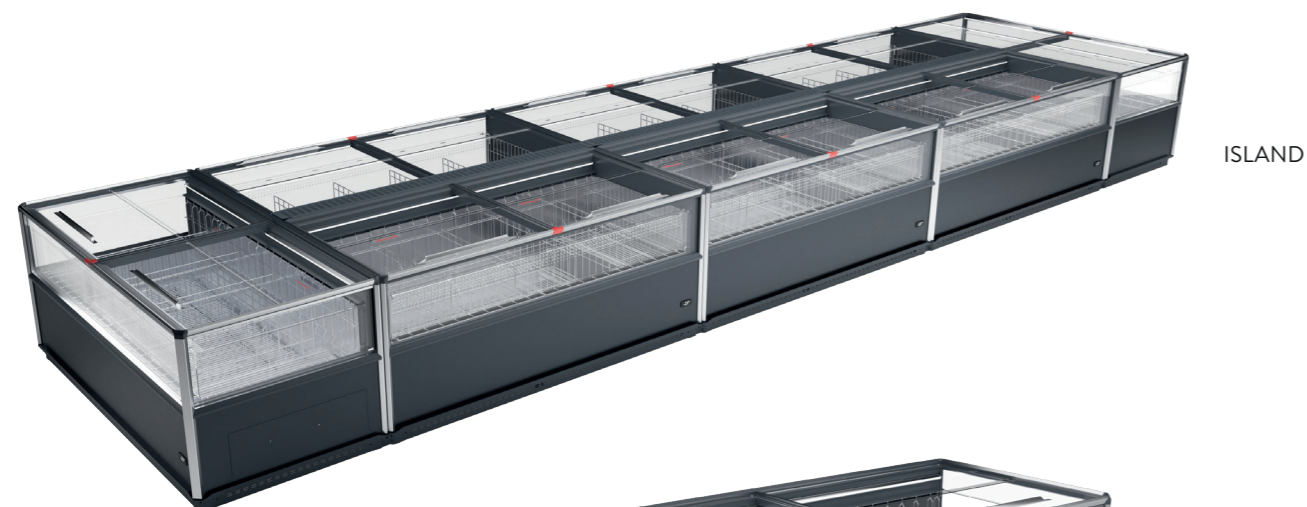
AHT 
a member of **DAIKIN** group

 **FIXWELL**
www.fixwell.co.nz



KIGALI XL

_Refrigerators & freezers. Plug-in installation



ISLAND



END CAP



STAND ALONE

Optimized product presentation in an elegant design.

Discover KIGALI XL, the new generation of plug-in cooling and freezer units from AHT Cooling Systems. With the largest Total Display Area of all AHT units and a sleek, linear design made from high-quality materials such as aluminum, glass, and premium-plastic, KIGALI XL ensures maximum product visibility and a premium aesthetic.



VISUAL MERCHANDISING

KIGALI XL sets new standards in visual merchandising with its impressive glass surfaces, offering maximum product visibility on three sides in the endcap version. The smooth push-glass lid ensures easy product access, while the up to 30% larger Total Display Area compared to previous AHT units provides a direct view of the products. Additionally, high-quality LED lighting at the front and rear of the unit ensures optimal illumination of the interior, highlighting the product presentation perfectly.



INDIVIDUAL BRANDING

KIGALI XL offers ideal branding opportunities as there is no need for side ventilation grilles. This allows the units to be fully wrapped, providing a perfect surface for customized brand presentations.



ENERGY EFFICIENCY

The KIGALI XL models impress with excellent energy efficiency, being listed in EEI Class C. Thanks to the patented air circulation system, which combines static cooling with air circulation, an optimal cooling effect is achieved with minimal energy consumption. This innovative technology also enables a higher front glazing compared to conventional devices, enhancing both efficiency and product visibility.



INTELLIGENT INSTALLATION

Thanks to plug-in technology, installing KIGALI XL units is incredibly simple – they only need to be connected to a power source. The increased ground clearance makes placement easier. Row and end units can be perfectly combined with AHT's KINLEY overhead cabinets.



COMPATIBLE WITH AMS

Our Active Monitoring System (AMS) allows us to detect problems before you notice them. As an essential add-on to all AHT products, the AMS makes it much easier for you to manage and monitor the AHT cooling systems in your stores.



ENVIRONMENT & CLIMATE

KIGALI XL units are completely free of CFCs and HFCs, using the environmentally friendly and natural refrigerant propane (R290). This makes them especially eco-friendly. R290 has one of the lowest Global Warming Potentials available on the market, ensuring minimal environmental impact.



SEMI-AUTOMATIC DEFROSTING

The semi-automatic defrosting is possible in all temperature ranges. Thanks to constant temperature control and high-quality plastic containers, both the longevity and hygiene of all goods are consistently ensured. The plastic inner tray also allows for easy cleaning, making maintenance hassle-free.

CONFIGURATIONS



_optionally with end cabinet on both sides

_extendible with commercially available shelf attachments

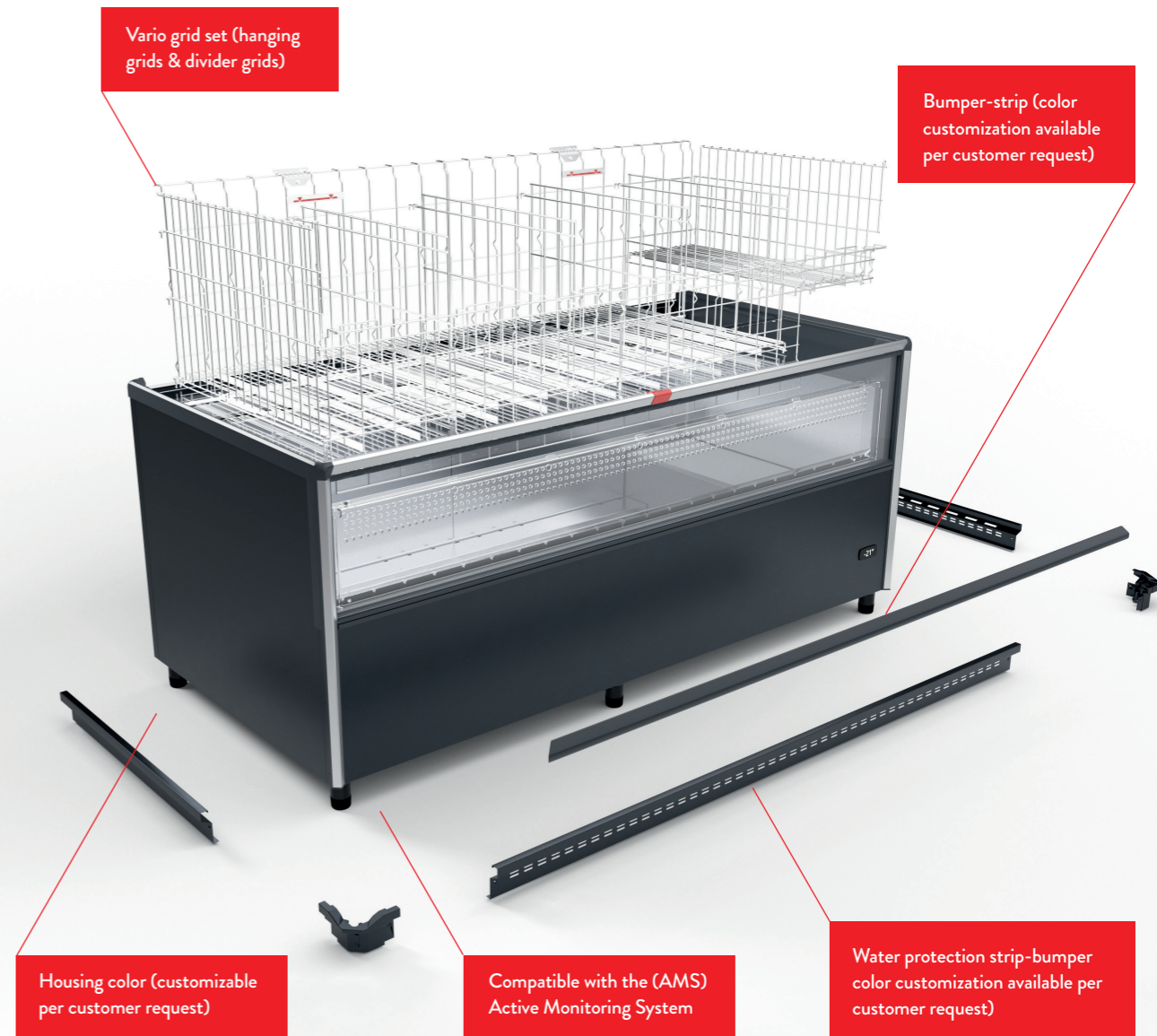
USPs

MAXIMUM PRODUCT PRESENTATION & USER-FRIENDLINESS

KIGALI XL offers the largest Total Display Area of all AHT units, providing up to 30% improved product visibility. The generous glass surfaces and smooth push-glass lid ensure easy product access and optimal presentation. With high-quality LED lighting, the interior is perfectly illuminated, ensuring your products are always showcased in the best light.

ENERGY EFFICIENCY & FLEXIBILITY

KIGALI XL stands out with its Energy Efficiency Index Class C, utilizing a patented air circulation technology that combines static cooling with cross-flow ventilation, reducing energy consumption. The simple plug-in installation and increased ground clearance make placement easier, while the versatile installation options ensure seamless adaptation to any store layout.



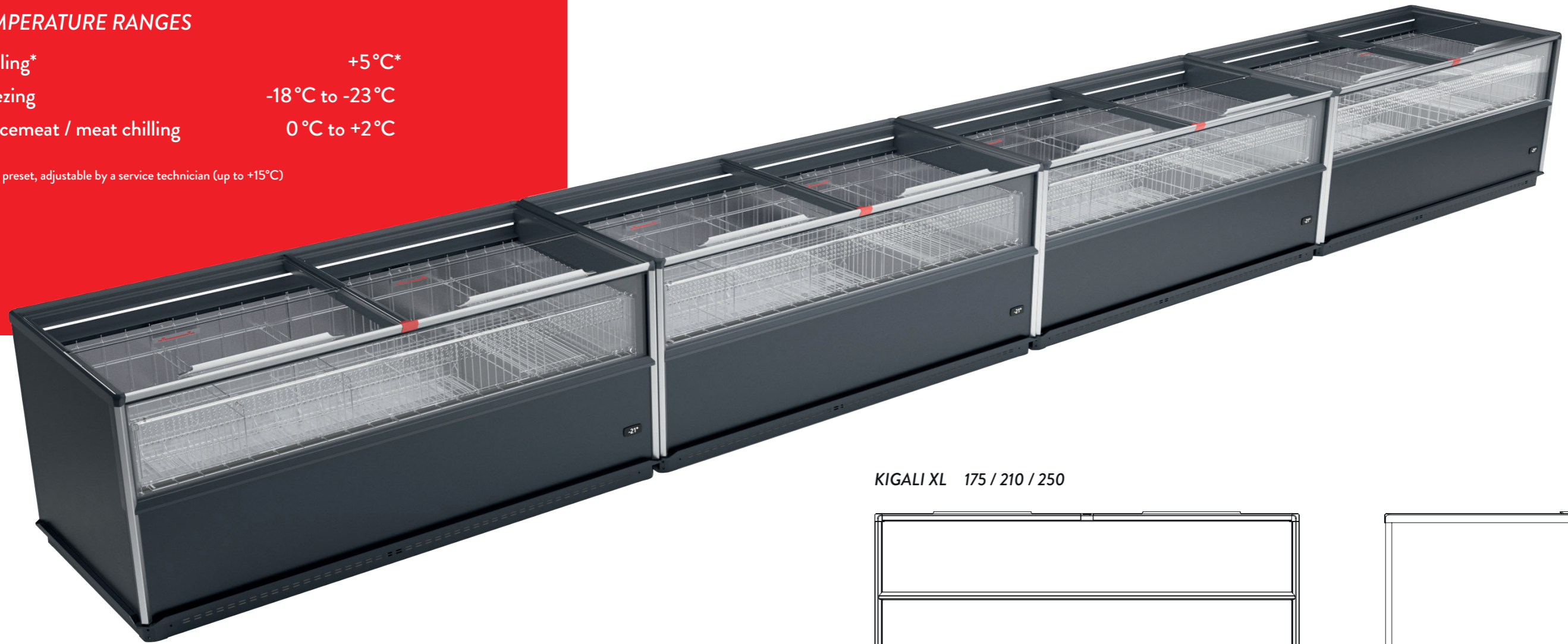
ACCESSORIES

- _ Various pricing display options
- _ High cover (between back-to-back units)
- _ Flat cover (between back-to-back units)
- _ Water protection strip-bumper (color customization available per customer request)
- _ Vario grid set (hanging grids & divider grids)
- _ Bumper strip (color customization available per customer request)
- _ Housing color (customizable per customer request)
- _ CAN-ModBUS interface
- _ Compatible with the Active Monitoring System (AMS)

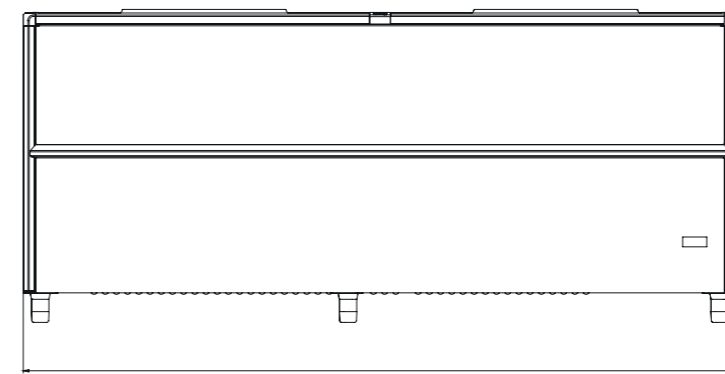
TEMPERATURE RANGES

| | |
|----------------------------|------------------|
| Cooling* | +5 °C* |
| Freezing | -18 °C to -23 °C |
| Mince meat / meat chilling | 0 °C to +2 °C |

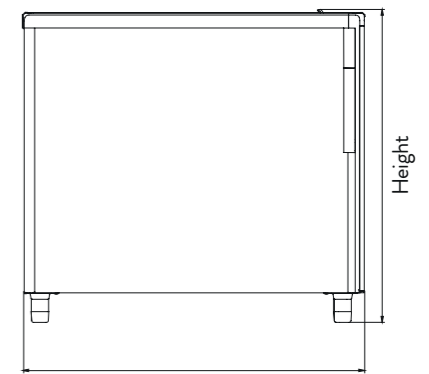
*Fixed preset, adjustable by a service technician (up to +15°C)



KIGALI XL 175 / 210 / 250



Length



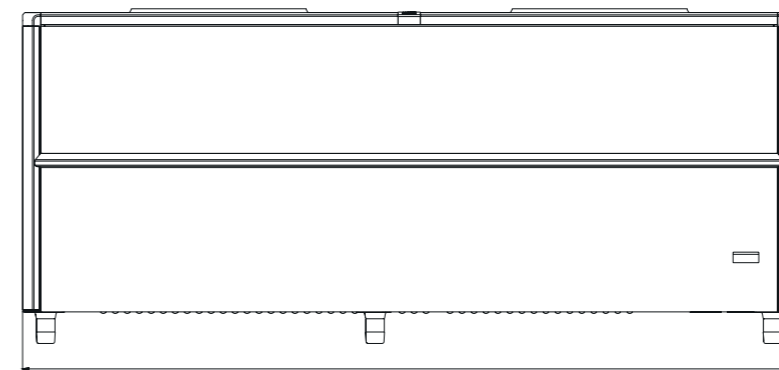
Depth

Height

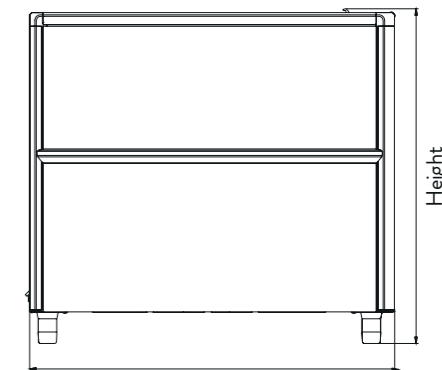
DIMENSIONS

| KIGALI XL | | 175 | 210 | 250 | EC 210 |
|-------------------------------|----------------|---------------|---------------|---------------|---------------|
| Length, exterior / interior | mm | 1.752 / 1.574 | 2.102 / 1.924 | 2.502 / 2.324 | 2.130 / 1.924 |
| Depth, exterior / interior | mm | 1.008 / 801 | 1.008 / 801 | 1.008 / 801 | 1.006 / 801 |
| Height, front / rear | mm | 913 / 913 | 913 / 913 | 913 / 913 | 912 / 912 |
| Stacking height, front / rear | mm | 415 / 415 | 415 / 415 | 415 / 415 | 415 / 415 |
| Total Display Area | m ² | 1,45 | 1,79 | 2,17 | 2,13 |
| Volume gross / net | l | 939 / 483 | 1.156 / 596 | 1.403 / 725 | 1.178 / 606 |

KIGALI XL EC



Length



Depth

Height

AHT Cooling Systems GmbH
Werksgasse 57
8786 Rottenmann, Austria

p. +43 3614 2451-0
office@aht.at
www.aht.at

©AHT Cooling Systems GmbH
Subject to technical changes and typographical errors
Version: 09/2024

 **FIXWELL**
www.fixwell.co.nz

Fixwell Display System NZ Ltd

Level 17 SPACES, 15 Customs Street
West, PWC Tower, Commercial Bay,
Auckland, 1010, New Zealand

tel.: +64 9 970 1019
e-mail: sales@fixwell.co.nz