

AHT 
a member of **DAIKIN** group

FIXWELL
www.fixwell.co.nz



AC & GD

_Promotion chiller. Ready to connect

Unmissable presence.

With the AC COOLER series, you present your products in an effective and highly visible way.



VISUAL MERCHANDISING

Thanks to a wide range of sizes, the AC COOLER series offers a suitable solution for all space situations. With the open front and glass side panes, goods are highly visible and presented to the best advertising effect. The backlit and customisable head part guarantees attention.



HIGH ENERGY SAVINGS

The sensor that automatically switches off the light, the cooling curtain for night-time operation with integrated energy-saving circuit, and models with glass doors ensure maximum energy efficiency.



ENVIRONMENT AND CLIMATE

The AC COOLER is completely CFC- and HFC-free and operates with the ecologically harmless and natural refrigerant propane (R290). This makes it particularly environmentally friendly.



INTELLIGENT INSTALLATION

Rollers allow the AC COOLER series to be positioned easily and put into operation immediately thanks to plug-in. Piping and additional connections are not necessary.



SIMPLE DEFROSTING

Defrosting and hot-water condensate evaporation take place automatically in the AC COOLER. In addition, the air curtain ensures optimum cooling capacity.

INDIVIDUAL BRANDING

AHT cooling units are constructed individually: Using our template, you create the design, then we apply it directly during production.



TEMPERATURE RANGES

Cooling

-1°C to 7°C

USPs

MAXIMUM FLEXIBILITY

The AHT AC COOLER offers the optimum solution for every space. Different installation dimensions, optional doors and individual head part branding combined with smart features make the AC COOLER perfect for use at the point of sale.

MINIMUM SERVICE WORK

Thanks to the newly developed cartridge technology, maintenance work is completed swiftly on AC COOLERS. Simply replace the chiller cartridge fitted in the bottom of the unit and you're ready to go again. No products need to be cleared out, and everything is completed in less than 15 minutes.



AC M



AC S



AC W



AC XL



GD XL

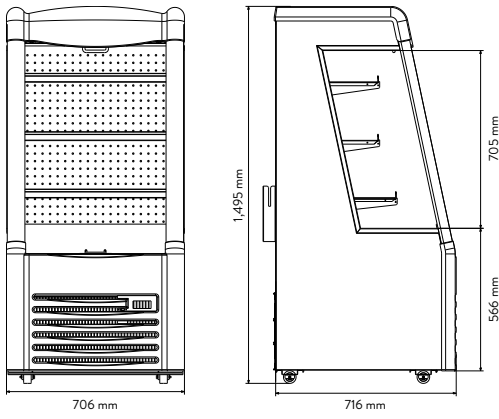
ACCESSORIES

- _ Unit body in all RAL colours
- _ Styling tailored to customer requirements (wrapping)
- _ Price display/price strip

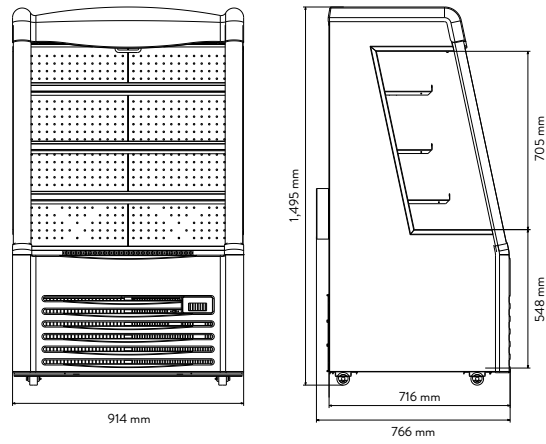


GD XLS

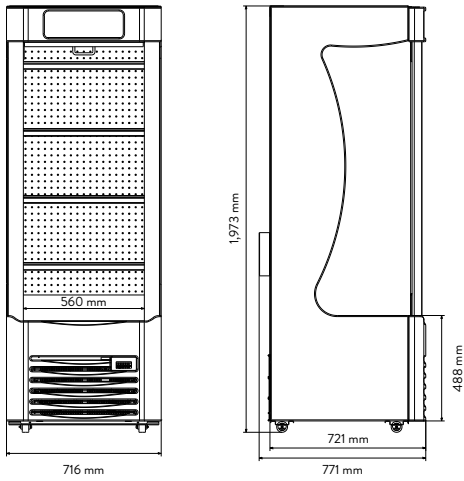
ACS



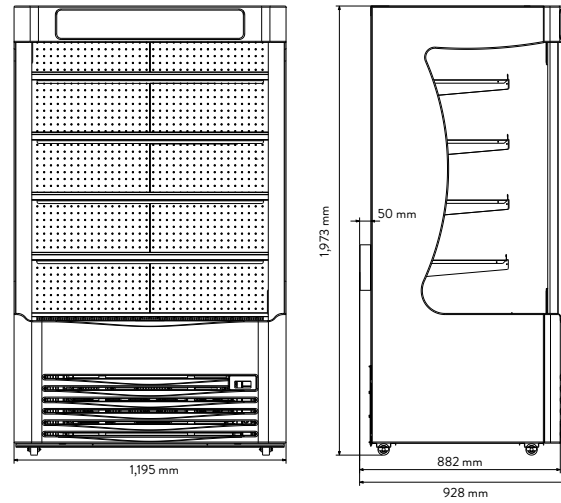
ACW



ACM



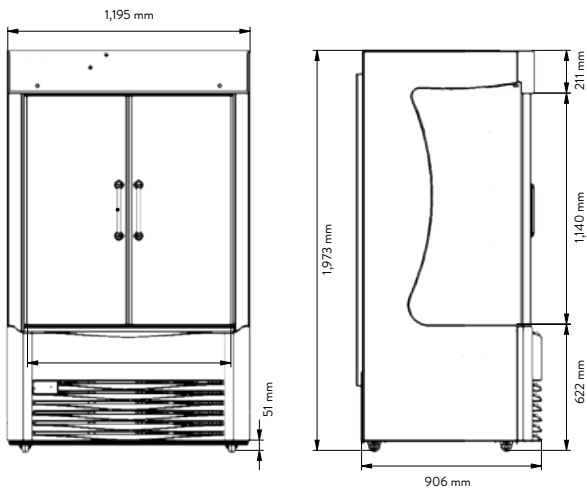
ACXL



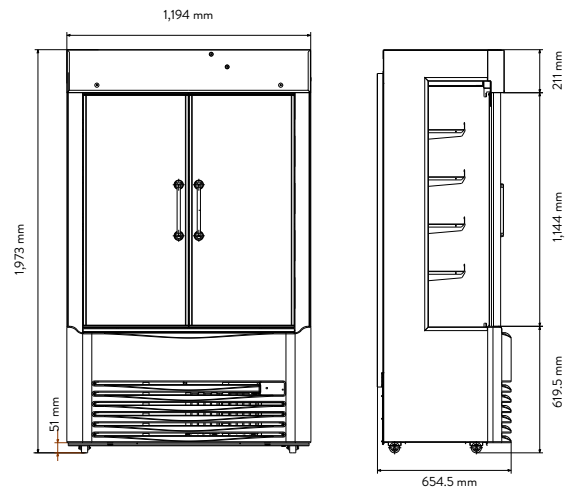
DIMENSIONS

AC COOLER		AC M	ACS	AC W	AC XL
Length, exterior / interior	mm	716 / 624	706 / 624	914 / 835	1,195 / 1,105
Depth, exterior / interior	mm	771 / 420	766 / 428	766 / 428	928 / 552
Height, exterior / interior	mm	1,973 / 1,365	1,495 / 846	1,495 / 846	1,973 / 1,292
Shelf depth	mm	4x388	2x321 / 1x388	2x321 / 1x388	4x508

GD XL



GD XLS



DIMENSIONS

GD		GD XL	GD XLS
Length, exterior / interior	mm	1,225 / 1,095	1,195 / 1,105
Depth, exterior / interior	mm	906 / 696	655 / 694
Height, exterior / interior	mm	1,973 / 1,319	1,973 / 1,360
Shelf depth	mm	4 x 563	4 x 320



AHT Cooling Systems GmbH

Werksgasse 57
8786 Rottenmann | Austria
p. +43 3614 24 51-0
sales@aht.at
www.aht.at



Fixwell Display System NZ Ltd

Level 17 SPACES, 15 Customs Street
West, PWC Tower, Commercial Bay,
Auckland, 1010, New Zealand

tel.: +64 9 970 1019
e-mail: sales@fixwell.co.nz